

# Insulation Option for AccuValves®

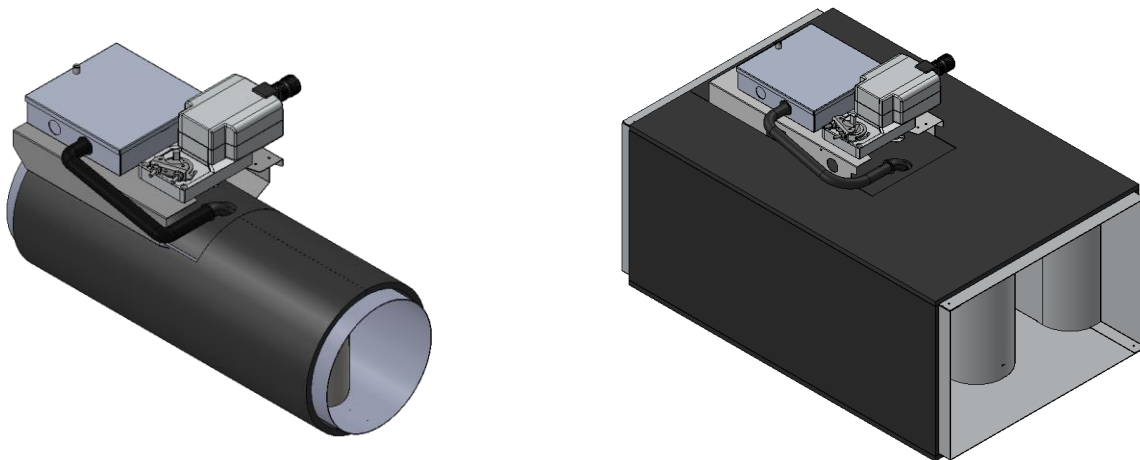
The AccuValve® can be ordered from the factory with optional insulation by adding a “-I” suffix to the model code. This data sheet provides a description of the insulation and is intended to be used in conjunction with the standard AccuValve® submittal documentation.

## INSULATION TYPE

Product Name: AP Armaflex®  
 Description: 3/8" thick black flexible closed-cell elastomeric thermal insulation  
 Manufacturer: Armacell LLC

## ROUND AND RECTANGULAR VALVES WITH INSULATION


Insulation is 1" from each end of valve  
 Insulation is 3/8" thick



## TECHNICAL DATA

Flame Spread and Smoke Developed Index:	25/50 rated	Test Method: ASTM E84, CAN/ULC S102
Mold Growth:	Passed	Test Method: UL18
Fungi Resistance:	Passed	Test Method: ASTM G21/C1338
Bacterial Resistance:	Passed	Test Method: ASTM G22

For additional information, reference AP Armaflex® Technical Data Sheet by Armacell LLC

 21 Commerce Dr Danbury, CT 06810 Tel: 203-445-9991 accutrollc.com	<b>SUBMITTAL DRAWING</b> <b>Insulation Option Detail for AccuValve®</b>			
	<b>Sold By:</b>			
THIS DOCUMENT IS SUBJECT TO CHANGE WITHOUT NOTICE.	SIZE <b>A</b>	ECN NO 2260	DWG NO <b>INSULATION DETAIL – AV</b>	REV <b>B</b>
THIS DOCUMENT OR THE CONTENTS THEREOF SHALL NOT BE MODIFIED WITHOUT PRIOR WRITTEN PERMISSION BY ACCUTROL LLC.	SCALE NTS	REV. DATE: 7-17-17	SHEET <b>1 OF 1</b>	