

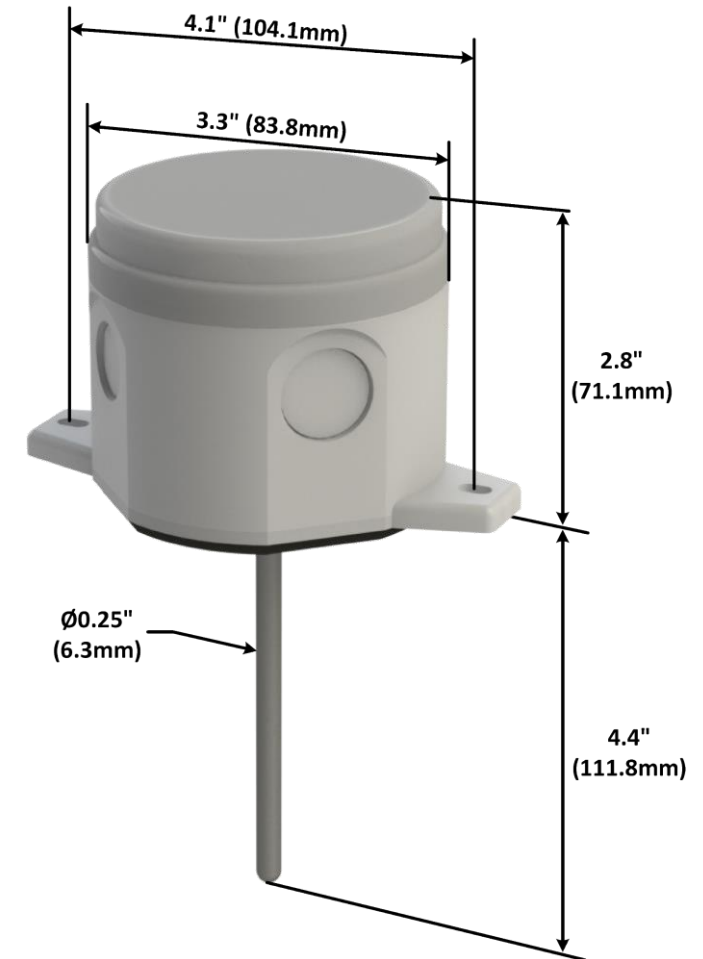
ACCUTROL RETURN DUCT TEMPERATURE SENSOR SUBMITTAL

The ADS1 is a duct-mounted air temperature sensor that is designed to be used exclusively with the AVR AccuValve® airflow and temperature control system. The ADS1 provides precise measurement of the air temperature flowing through the return/exhaust duct of the room being controlled by the AVR AccuValve. The ADS is provided with 2 mounting screws for duct-mounting and a prefabricated factory-cable for connecting directly to the AVR Control Valve.

ADS			
Sensor Type			Cable Length
1 – Temperature, Return Duct			1 - 25' Cable
			2 - 50' Cable
			3 - 75' Cable
			4 - 100' Cable

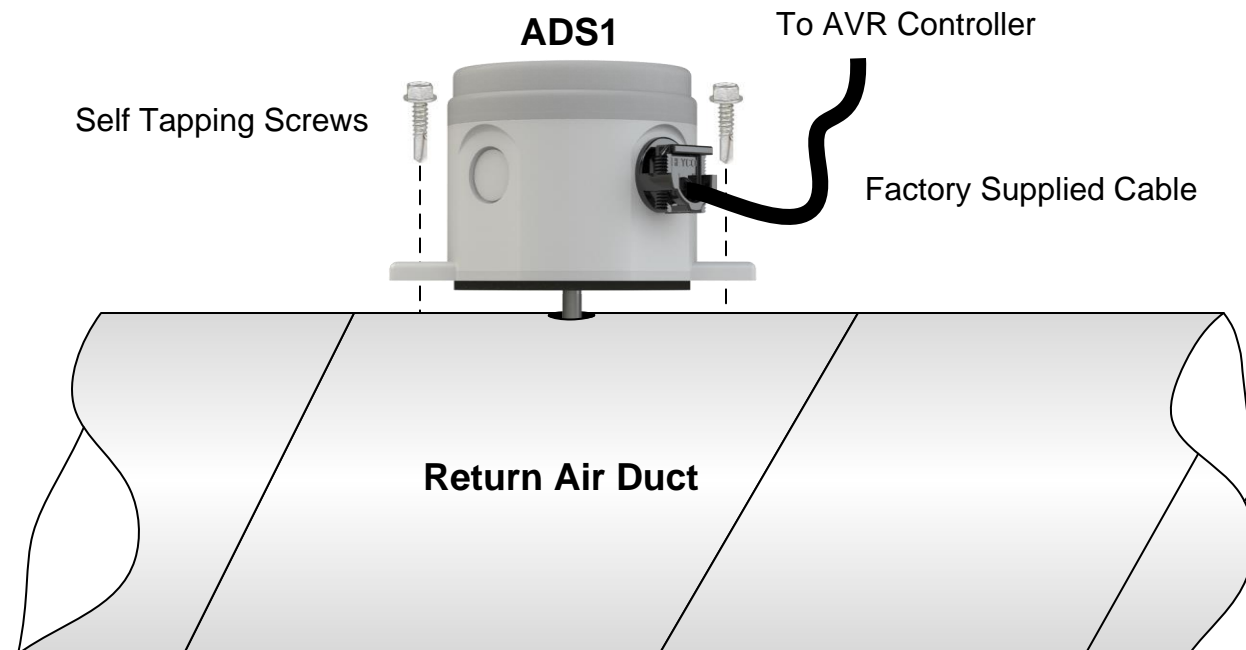
NOTE: If a longer cable is required, please contact factory.

DIMENSIONS:



INSTALLATION

1. Drill a 3/8" (15mm) diameter hole in the duct where probe is to be inserted.
2. Insert the probe into hole and align the ADS1 so the mounting flange makes contact with the duct surface.
3. Secure ADS1 to the duct using the (2) self-tapping screws provided.
4. Remove the cover from the ADS1 by rotating it CCW and route one end of the factory-cable into the enclosure through the strain relief fitting and plug it into the RJ45 port located on the PCB inside of the ADS1.
5. Reinstall the cover onto the ADS1 and secure by rotating CW.
6. Tighten the strain relief fitting securely over the cable.



SPECIFICATIONS

Electrical:

Factory cable connected to the AVR provides all power and signal connections.
Factory cable is shielded plenum-rated terminated with shielded RJ-45 connectors.

Temperature Measurement:

Range: 32°F to 132°F (0°C to 56°C)
Resolution: 0.02°F (0.01°C)
Accuracy: ± 0.25°F (± 0.14°C)

Environmental:

Operating Temperature: 32°F to 132°F (0°C to 56°C)
Storage Temperature: -40°F to +165°F (-40°C to 74°C)
Humidity: 0% to 90% non-condensing

Physical Construction:

Meets UL, 94 V-O polycarbonate plastic.

Mounting:

Installs directly onto duct surface using (2) factory provided screws.